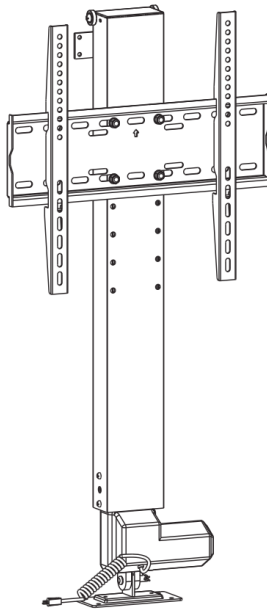




Motorized TV Stand with Remote Control Instruction Manual



SKU: MOUNT-E-UP44



Scan the QR code with your mobile device or follow the link for helpful videos and specifications related to this product.

<https://vivo-us.com/products/mount-e-up44>

GET IN TOUCH | Monday-Friday from 7:00am-7:00pm CST



help@vivo-us.com



www.vivo-us.com
Chat live with an agent!



309-278-5303

⚠️ WARNING!

If you do not understand these directions, or if you have any doubts about the safety of the installation, please call a qualified technician. Check carefully to make sure there are no missing or defective parts. Improper installation may cause damage or serious injury. Do not use this product for any purpose that is not explicitly specified in this manual. Do not exceed weight capacity. We cannot be liable for damage or injury caused by improper mounting, incorrect assembly or inappropriate use.

⚠️ WARNING: CHOKING HAZARD

SMALL PARTS - NOT FOR CHILDREN UNDER 3 YEARS. ADULT SUPERVISION IS REQUIRED.

PACKAGE CONTENTS



A (x1)
Motorized
Column



B (x1)
TV Plate



C (x2)
VESA Bracket



D (x4)
M8x15 Bolt



E (x4)
D8 Washer



F (x4)
M8 Lock Nut



G (x8)
5/8" Screw



H (x1)
Control Unit



I (x1)
PowerCord



J (x1)
Remote



K (x1)
Cable Clip



L (x1)
Adhesive Pad



M (x2)
1/4" Screw



N (x1)
Wrench



M-A (x4)
M5x14



M-B (x4)
M6x14



M-C (x4)
M6x30



M-D (x4)
M8x30



M-E (x4)
M8x50



M-F (x4)
Washer



M-G (x8)
Small
Spacer



M-H (x8)
Big
Spacer

NOTE: NOT ALL HARDWARE INCLUDED WILL BE USED

TOOLS NEEDED



Drill



**Phillips
Screwdriver**

DO NOT EXCEED WEIGHT CAPACITY.

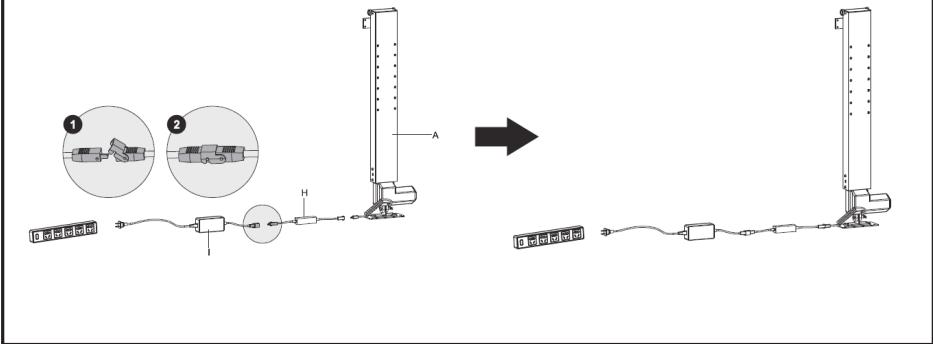
Failure to do so may result in serious injury.



ASSEMBLY STEPS

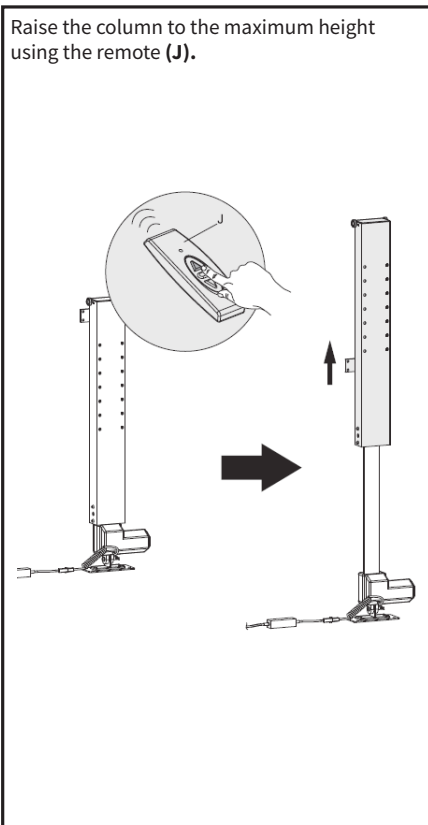
STEP 1

Connect the control unit (H) and power cord (I) to the motorized column (A) and plug into a power outlet.



STEP 2

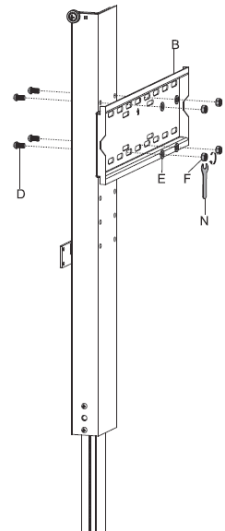
Raise the column to the maximum height using the remote (J).



STEP 3

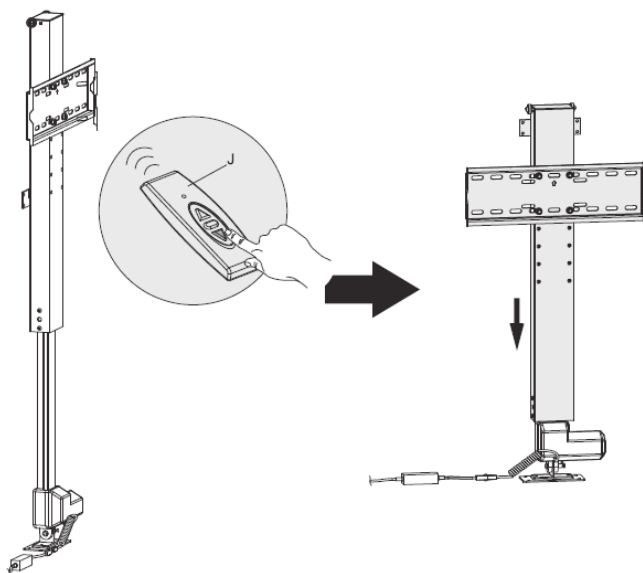
Mount the TV plate (B) at your desired height using M8x16 bolts (D), D8 washers (E) and M8 lock nuts (F). Tighten with the wrench (N) and a Phillips screwdriver.

NOTE: The lock nuts and washers **MUST** be installed on the front of the TV plate to prevent the column from binding.



STEP 4

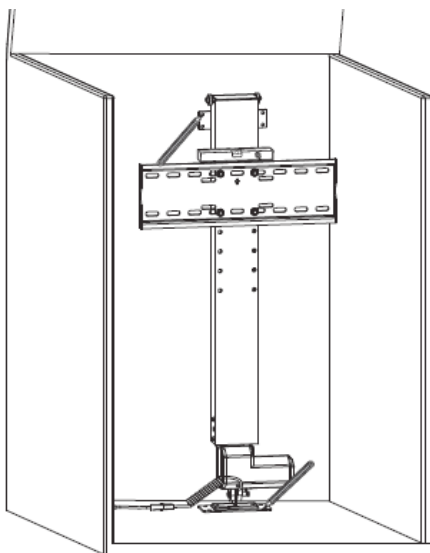
Lower the column to the minimum height using the remote.



STEP 5

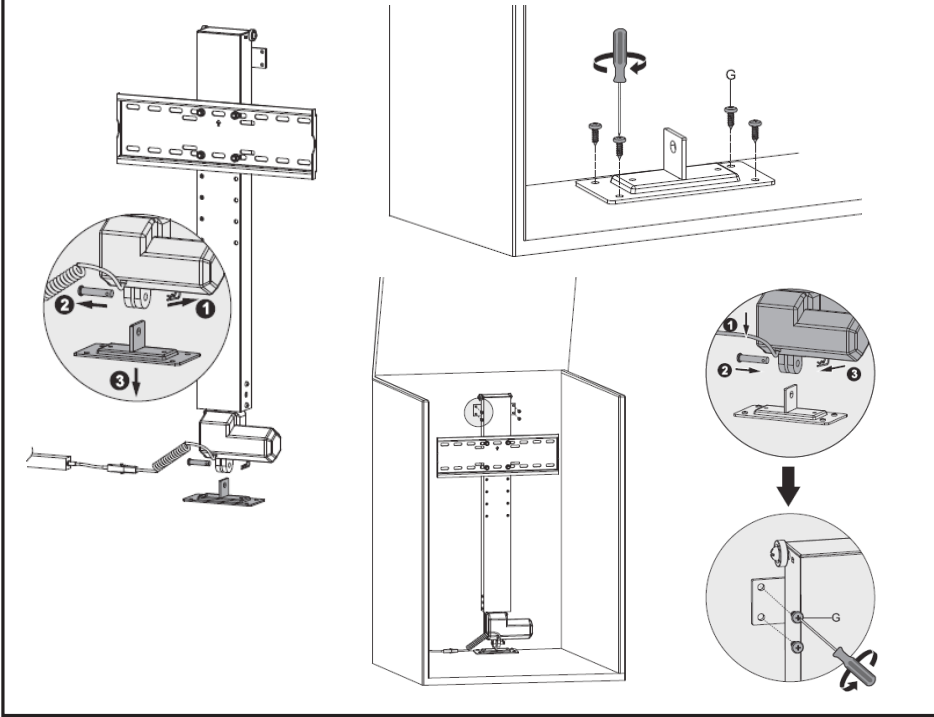
Place the column in the cabinet and, making sure the column is sitting perfectly straight and level, mark drilling locations. Drill 0.6" (15mm) deep holes using a 1/8" (3mm) drill bit.

Please note, if cabinet has a hinged lid, the hinge must be on the back of the cabinet for the lid to be properly opened by the mount.



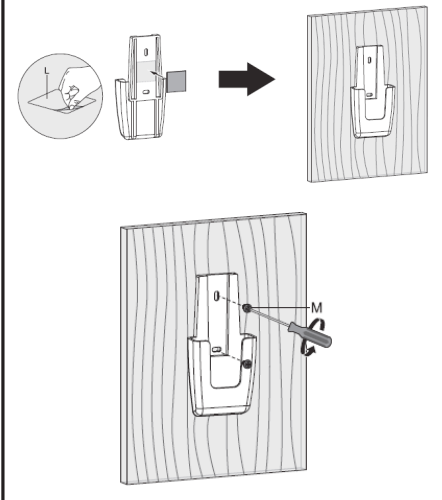
STEP 6

Separate baseplate from column by removing the lock and pin. Mount baseplate to cabinet floor using 5/8" screws (G). Reinstall column to baseplate, and secure to cabinet wall using 5/8" screws (G).



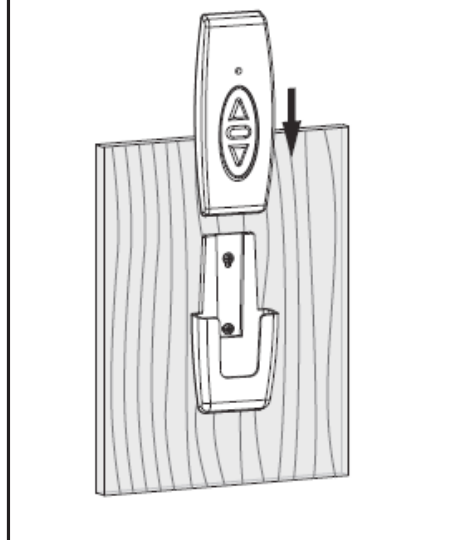
STEP 7

Use adhesive pad (L) to mount remote holder to wall. **OR** Use 1/4" screws (M) to mount remote holder to wall.



STEP 8

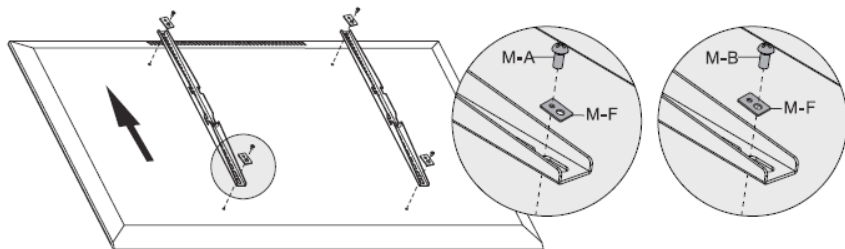
Place remote in holder when not in use.



STEP 9

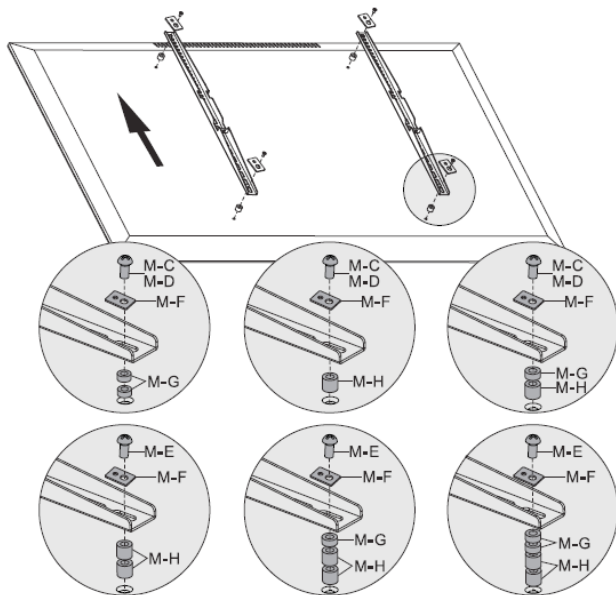
OPTION A: Flat Back TV

Mount VESA brackets (C) to back of TV using bolts (M-A or M-B) and washers (M-F).



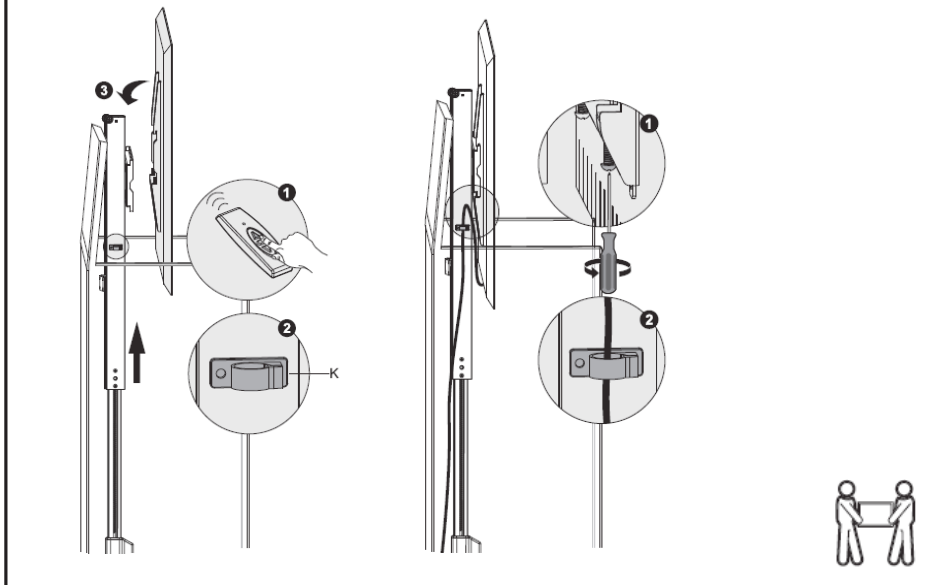
OPTION B: Curved Back TV

Mount VESA brackets (C) to back of TV using bolts (M-C, M-D, M-E), washers (M-F) and spacers (M-G, M-H) in one of the combinations shown.



STEP 10

Raise column to maximum height using the remote. Install cable clip (**K**) to side of column. Hang TV with VESA brackets onto mounting plate. Secure TV by tightening the screws underneath the VESA brackets. Use the cable clip to organize cables.



STEP 11

Operate mount using the remote.





Open **Monday - Friday 7:00am - 7:00pm** CST,

our dedicated support team can offer immediate assistance with rapid response times. If any parts are received damaged or defective, please contact us. We are happy to replace parts to ensure you have a fully functioning product.


 help@vivo-us.com

AVG. RESPONSE TIME (*within office hrs*): **1HR 8M**

- 23% within < 15m
- 38% within < 30m
- 61% within < 1hr
- 83% within < 2hr
- 92% within < 3hr

 www.vivo-us.com
Chat live with an agent!

AVG. RESOLUTION TIME (*within office hrs*): **< 15 M**

 309-278-5303

AVG. RESOLUTION TIME (*within office hrs*): **5M 4S**